



## ENGINE

|   |  |
|---|--|
| Model                                   | Isuzu AQ-6HK1X   |
| Emissions Certification                 | Tier 4 Final   |
| Fuel                                    | Requires ultra low-sulfur fuel<br>B5 biodiesel tolerant  |
| Type                                    | Water-cooled, 4-cycle diesel,<br>6-cylinder in-line high pressure<br>common rail system – electric control,<br>VGT Turbocharger w/ air cooled<br>intercooler, SCR system |
| Cylinders                               | 6-cylinder in-line   |
| Displacement                            | 475 in <sup>3</sup> (7.8 L)  |
| Bore/Stroke                             | 4.53 x 4.92 in<br>(115 x 125 mm)   |
| Fuel injection                          | Direct injection – electronic  |
| Fuel filter                             | Replaceable,<br>full flow spin-on cartridge  |
| Air filter                              | Dry type element<br>w/ warning restriction indicator   |
| Oil filter                              | Replaceable,<br>full flow spin-on cartridge  |
| Engine gradeability:                    |  |
| Side-to-side                            | 35°  |
| Fore and aft                            | 35°  |
| Net horsepower – SAE J1349 @ 1800 RPM:  | 207 hp (154 kW)  |
| Net max. torque – SAE J1349 @ 1500 RPM: | 626 lbf-ft (849 N-m)   |
| Cooling operating range:                | 112° to -4°F (50° to -20°C)  |
| Oil                                     | Requires low-ash oil CJ-4  |

## DRIVETRAIN

|                     |  |
|---------------------|--|
| Travel control      | Dual stage relief/<br>counter balance design |
| Brakes              | Mechanical disc                              |
| Service brakes      | SAHR disc – each motor                       |
| Two speed travel:   |  |
| Max. high speed     | 3.4 mph (5.4 km/h)                           |
| Max. low speed      | 2.0 mph (3.2 km/h)                           |
| Automatic downshift |  |
| Drawbar pull        | 52,380 lbf (233 kN)                          |
| Gradeability        | 70% – 35° Slope                              |

## ELECTRICAL

|                          |                 |
|--------------------------|-----------------|
| Voltage                  | 24 Volts        |
| Alternator rating        | 50 amp          |
| Batteries                | 2 x 12 Volt     |
| Battery reserve capacity | 128 Ah/5 hour   |
| Work lights – 4          | 24 Volt/70 watt |
| 1 boom, 1 upper, 2 cab   |                 |

## OPERATOR ENVIRONMENT

|   |   |
|---|---|
| Air conditioner output  | 18,100 BTU/hr                           |
| Heater output   | 20,150 BTU/hr                           |
| Sound level inside cab – ISO6396  | 70 dBA                                  |
| Electrical outlet   | 12 Volt                                 |
| Cab interior light  | 10 watt                                 |
| Rear view camera  | Standard                                |
| Seat  | Air-suspension, heated and 65° tiltable |
| Monitor:  |   |
| Rear view and side view – optional camera display; Mode 1: work mode; Travel mode; Attachment selection; Auto idle indicator; Fuel consumption gauge; Power boost icon; Fuel bar graph; Oil temperature bar graph; DEF/AdBlue bar graph; Auto glow indicator; Auxiliary mode display; Hour meter; Camera angle indicator; Mode 2: free swing/swing lock indicator; Light icon; Wiper icon; Mute icon; Seat belt icon; Warning messages; Time and date; Water temperature bar graph; DEF/AdBlue refill icon; Anti-theft icon; DTC indicator; Low output icon; SCR cleaning icon; SCR warning icons; Freeze protection; Trip meter; Pressure reading. |   |

### Seat:

High-back seat w/ heat and air suspension; Adjustments: 65° tilt, manual weight, seat height, headrest, lumbar support, backrest angle, pivoting armrests linked to consoles; Retractable seat belt and control consoles adjust independently of seat.

## ATTACHMENT

|                       |                     |
|-----------------------|---------------------|
| Boom                  | 20 ft 2 in (6.15 m) |
| Arm options:          |                     |
| Standard              | 10 ft 5 in (3.18 m) |
| Short                 | 8 ft 8 in (2.65 m)  |
| Long                  | 12 ft 0 in (3.66 m) |
| Bucket digging force* | 39,341 lbf (175 kN) |
| w/ Auto Power-Boost   | 42,781 lbf (190 kN) |

NOTE: \*Digging force ratings based on ISO6015.

## OPERATING WEIGHT

|                  |                       |
|------------------|-----------------------|
| Operating weight | 67,271 lb (30 514 kg) |
| w/ shoes         | 2 ft 7 in (800 mm)    |
| w/ boom          | 20 ft 2 in (6.15 m)   |
| w/ arm           | 10 ft 5 in (3.18 m)   |
| w/ bucket        | 1,940 lb (880 kg)     |
| w/ counterweight | 11,244 lb (5 100 kg)  |

NOTE: W/ operator/full fuel/standard equipment.

## GROUND PRESSURE

@ Standard operating weight 6.4 psi (0.44 bar)  
w/ 31.5 in (800 mm) triple semi-grouser shoes

## HYDRAULICS

|  |   |
|--|---|
| System design  | Open center   |
| Main pumps   | Two-variable displacement/<br>axial piston          |
| Max. rated flow  | 64.2 gpm (243 L/min)                                |
| System pressures:                                      |   |
| Boom, arm and bucket                                   | 4,975 psi (343 bar)                                 |
| w/ Power Boost   | 5,410 psi (373 bar)                                 |
| Travel circuits  | 4,975 psi (343 bar)                                 |
| Swing circuits   | 4,409 psi (304 bar)                                 |
| Pilot pump   | 1 x gear design                                     |
| Max. capacity  | 7.1 gpm (27 L/min)                                  |
| Controls   | w/ boom/arm holding valve                           |
| Right track travel, bucket, boom and arm acceleration. | 1 x Four-spool section                              |
| Left track travel, bucket, boom and arm acceleration.  | 1 x Five-spool section                              |
| Work mode selections                                   | SP: Speed Priority<br>H: Heavy-Duty<br>A: Automatic |
| Swing motor  | Fixed displacement<br>axial piston                  |
| Swing final drive                                      | Planetary gear reduction                            |
| Travel motor   | Two-speed independent<br>travel/axial piston        |

## HYDRAULIC CYLINDERS

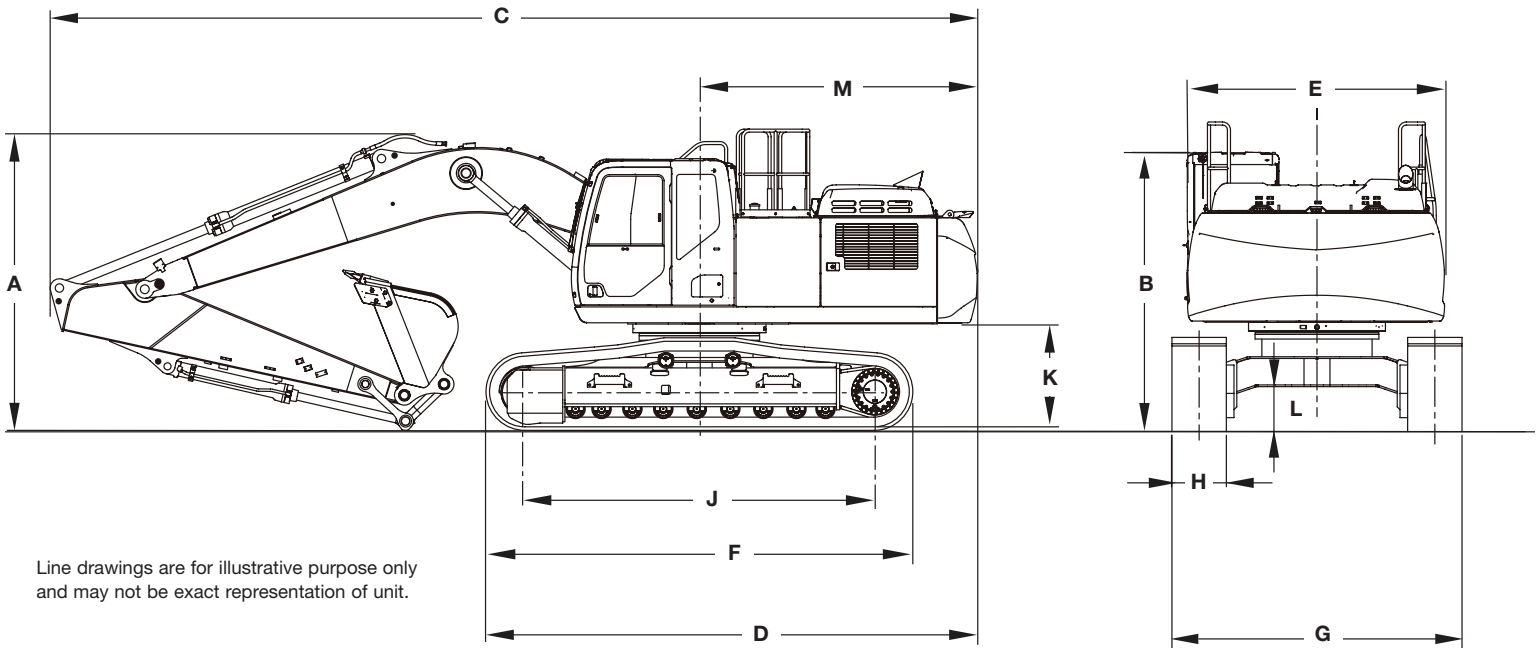
|                       |                    |
|-----------------------|--------------------|
| Boom cylinders        | Two (2)            |
| Cylinder bore         | 5.5 in (140 mm)    |
| Cylinder rod diameter | 3.7 in (95 mm)     |
| Cylinder stroke       | 53.9 in (1 369 mm) |
| Arm cylinder          | One (1)            |
| Cylinder bore         | 5.9 in (150 mm)    |
| Cylinder rod diameter | 4.1 in (105 mm)    |
| Cylinder stroke       | 65.0 in (1 650 mm) |
| Bucket cylinder       | One (1)            |
| Cylinder bore         | 5.3 in (135 mm)    |
| Cylinder rod diameter | 3.5 in (90 mm)     |
| Cylinder stroke       | 42.4 in (1 078 mm) |

## SERVICE CAPACITIES

|                      |                   |
|----------------------|-------------------|
| Fuel tank            | 120.7 gal (457 L) |
| Hydraulic system     | 79.3 gal (300 L)  |
| Hydraulic tank       | 38.8 gal (147 L)  |
| Engine oil w/ filter | 10.8 gal (40.9 L) |
| Swing drive          | 1.3 gal (5.0 L)   |
| Final drive          | 2.5 gal (9.5 L)   |
| Cooling system       | 9.5 gal (35.9 L)  |
| DEF tank             | 31.7 gal (120 L)  |

## OTHER SPECIFICATIONS

|                        |                            |
|------------------------|----------------------------|
| Swing speed            | 10 RPM                     |
| Swing torque           | 68,151 lbf-ft (92.4 kN-m)  |
| Swing brake            | Mechanical disc            |
| Undercarriage:         |                            |
| Length                 | 15 ft 11 in (4 850 mm)     |
| Track gauge            | 8 ft 6 in (2 600 mm)       |
| Carrier rollers        | 2                          |
| Track rollers          | 9                          |
| Shoes – triple grouser | 50                         |
| Shoe width – std.      | 2 ft 7 in (800 mm)         |
| Link pitch             | 8 in (203 mm)              |
| Track:                 |                            |
| Chain                  | Grease lubricated/strutted |
| Guides                 | Single                     |
| Adjustment             | Hydraulic                  |

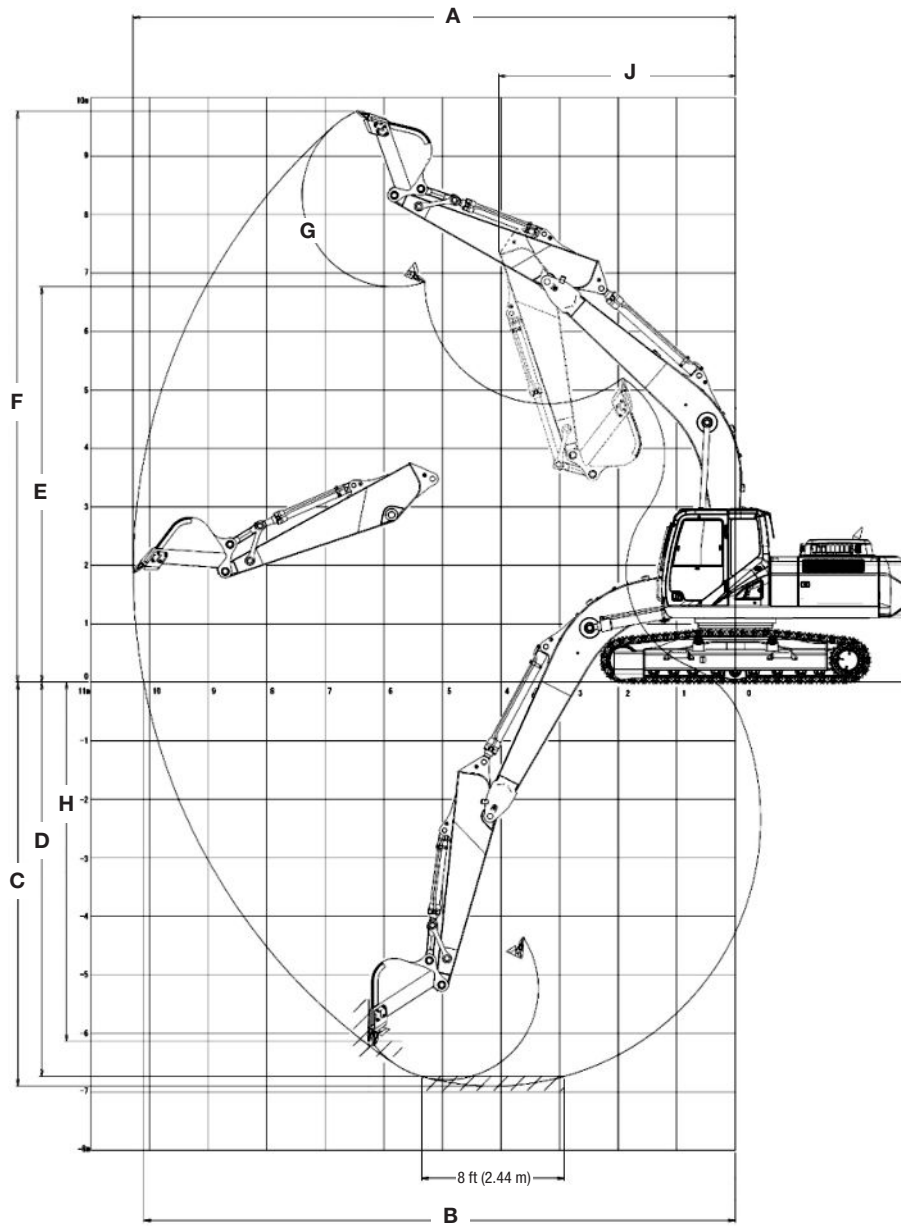


Line drawings are for illustrative purpose only and may not be exact representation of unit.

## DIMENSIONS

|  | 10 ft 5 in (3.18 m) Arm | 8 ft 8 in (2.65 m) Arm | 12 ft 0 in (3.66 m) Arm |
|--|-------------------------|------------------------|-------------------------|
| A. Overall height – with attachment                | 11 ft 0 in (3 350 mm)   | 10 ft 11 in (3 340 mm) | 11 ft 4 in (3 460 mm)   |
| B. Cab height                                      | 10 ft 3 in (3 130 mm)   | 10 ft 3 in (3 130 mm)  | 10 ft 3 in (3 130 mm)   |
| Overall height to top of guardrail                 | 11 ft 3 in (3 420 mm)   | 11 ft 3 in (3 420 mm)  | 11 ft 3 in (3 420 mm)   |
| C. Overall length – with attachment                | 34 ft 6 in (10 510 mm)  | 34 ft 6 in (10 520 mm) | 34 ft 5 in (10 500 mm)  |
| D. Overall length – without attachment             | 18 ft 4 in (5 580 mm)   | 18 ft 4 in (5 580 mm)  | 18 ft 4 in (5 580 mm)   |
| E. Width of upper structure                        | 9 ft 6 in (2 890 mm)    | 9 ft 6 in (2 890 mm)   | 9 ft 6 in (2 890 mm)    |
| F. Track overall length                            | 15 ft 11 in (4 850 mm)  | 15 ft 11 in (4 850 mm) | 15 ft 11 in (4 850 mm)  |
| G. Track overall width with 31.5 in (800 mm) shoes | 11 ft 2 in (3 400 mm)   | 11 ft 2 in (3 400 mm)  | 11 ft 2 in (3 400 mm)   |
| H. Track shoe width                                | 2 ft 7 in (800 mm)      | 2 ft 7 in (800 mm)     | 2 ft 7 in (800 mm)      |
| J. Center to center – idler to sprocket            | 13 ft 1 in (3 980 mm)   | 13 ft 1 in (3 980 mm)  | 13 ft 1 in (3 980 mm)   |
| K. Upper structure ground clearance                | 3 ft 11 in (1 190 mm)   | 3 ft 11 in (1 190 mm)  | 3 ft 11 in (1 190 mm)   |
| L. Minimum ground clearance                        | 1 ft 6 in (460 mm)      | 1 ft 6 in (460 mm)     | 1 ft 6 in (460 mm)      |
| M. Rear tail swing radius                          | 10 ft 4 in (3 160 mm)   | 10 ft 4 in (3 160 mm)  | 10 ft 4 in (3 160 mm)   |
| Operating weight*                                  | 67,271 lb (30 514 kg)   | 67,050 lb (30 414 kg)  | 67,602 lb (30 664 kg)   |
| Ground pressure                                    | 6.4 psi (0.44 bar)      | 6.4 psi (0.44 bar)     | 6.4 psi (0.44 bar)      |

NOTE: \*Machine equipped with 20 ft 2 in (6.15 m) boom. 31.5 in (800 mm) track shoe, 1,940 lb (880 kg) bucket, 165 lb (75 kg) operator, full fuel and standard equipment.



### PERFORMANCE SPECS

|   | 10 ft 5 in (3.18 m) Arm | 8 ft 8 in (2.65 m) Arm  | 12 ft 0 in (3.66 m) Arm |
|---|-------------------------|-------------------------|-------------------------|
| <b>A.</b> Maximum dig radius                          | 35 ft 0 in (10 670 mm)  | 33 ft 6 in (10 220 mm)  | 36 ft 7 in (11 160 mm)  |
| <b>B.</b> Dig radius at groundline                    | 34 ft 5 in (10 490 mm)  | 32 ft 11 in (10 030 mm) | 36 ft 0 in (10 980 mm)  |
| <b>C.</b> Maximum dig depth                           | 23 ft 4 in (7 100 mm)   | 21 ft 7 in (6 570 mm)   | 24 ft 10 in (7 580 mm)  |
| <b>D.</b> Dig depth – 8 ft 0 in (2.44 m) level bottom | 22 ft 9 in (6 940 mm)   | 21 ft 0 in (6 390 mm)   | 24 ft 5 in (7 440 mm)   |
| <b>E.</b> Dump height                                 | 23 ft 3 in (7 080 mm)   | 22 ft 9 in (6 930 mm)   | 24 ft 3 in (7 390 mm)   |
| <b>F.</b> Maximum reach height                        | 33 ft 0 in (10 050 mm)  | 32 ft 7 in (9 930 mm)   | 34 ft 1 in (10 390 mm)  |
| <b>G.</b> Bucket rotation                             | 176°                    | 176°                    | 176°                    |
| <b>H.</b> Maximum vertical wall dig depth             | 20 ft 0 in (6 100 mm)   | 18 ft 10 in (5 750 mm)  | 22 ft 0 in (6 710 mm)   |
| <b>J.</b> Minimum swing radius                        | 13 ft 3 in (4 030 mm)   | 13 ft 7 in (3 980 mm)   | 13 ft 5 in (4 080 mm)   |
| Arm digging force:                                    |                         |                         |                         |
| Standard  | 28,865 lbf (128 kN)     | 33,047 lbf (147 kN)     | 25,696 lbf (114 kN)     |
| Power Boost   | 31,383 lbf (140 kN)     | 35,947 lbf (160 kN)     | 27,944 lbf (124 kN)     |
| Bucket digging force:                                 |                         |                         |                         |
| Standard  | 39,342 lbf (175 kN)     | 39,342 lbf (175 kN)     | 39,342 lbf (175 kN)     |
| Power Boost   | 42,781 lbf (190 kN)     | 42,781 lbf (190 kN)     | 42,781 lbf (190 kN)     |

**LIFT CAPACITIES**

**10 ft 5 in (3.18 m)** Lift capacities using a 1,786 lb (810 kg) bucket, 11,244 lb (5 100 kg) counterweight.

| Load<br>(Lift Point<br>Height) | 5 ft<br>(1.5 m)            |                            | 10 ft<br>(3 m)             |                            | 15 ft<br>(4.5 m)           |                            | 20 ft<br>(6 m)             |                          | 25 ft<br>(7.5 m)          |                           | 30 ft<br>(9 m)            |                        | MAXIMUM REACH            |                           |                           |
|--------------------------------|----------------------------|----------------------------|----------------------------|----------------------------|----------------------------|----------------------------|----------------------------|--------------------------|---------------------------|---------------------------|---------------------------|------------------------|--------------------------|---------------------------|---------------------------|
|                                | END                        | SIDE                       | END                        | SIDE                       | END                        | SIDE                       | END                        | SIDE                     | END                       | SIDE                      | END                       | SIDE                   | @                        | END                       | SIDE                      |
| +30 ft<br>(9 m)                |                            |                            |                            |                            |                            |                            |                            |                          |                           |                           |                           |                        | (7.40 m)                 | (3 810 kg)*               | (3 810 kg)*               |
| +25 ft<br>(7.5 m)              |                            |                            |                            |                            |                            |                            |                            |                          | 11,750 lb*<br>(5 270 kg)* | 11,750 lb*<br>(5 270 kg)* |                           |                        | 28 ft 4 in<br>(8.72 m)   | 7,850 lb*<br>(3 540 kg)*  | 7,850 lb*<br>(3 540 kg)*  |
| +20 ft<br>(6 m)                |                            |                            |                            |                            |                            |                            |                            |                          | 13,250 lb*<br>(6 190 kg)* | 12,750 lb<br>(5 940 kg)   | 10,250 lb*<br>(5 030 kg)* | 9,150 lb<br>(4 270 kg) | 31 ft 3 in<br>(9.56 m)   | 7,600 lb*<br>(3 460 kg)*  | 7,600 lb*<br>(3 460 kg)*  |
| +15 ft<br>(4.5 m)              |                            |                            |                            |                            |                            |                            | 17,500 lb*<br>(8 060 kg)*  | 17,350 lb<br>(8 040 kg)* | 15,800 lb*<br>(7 240 kg)* | 12,350 lb<br>(5 740 kg)   | 13,100 lb*<br>(6 190 kg)* | 8,950 lb<br>(4 180 kg) | 32 ft 11 in<br>(10.06 m) | 7,700 lb*<br>(3 490 kg)*  | 7,450 lb<br>(3 370 kg)    |
| +10 ft<br>(3 m)                |                            |                            | 39,400 lb*<br>(18 420 kg)* | 39,400 lb*<br>(18 420 kg)* | 27,700 lb*<br>(12 880 kg)* | 26,400 lb<br>(12 250 kg)   | 21,000 lb*<br>(9 710 kg)*  | 16,900 lb<br>(7 850 kg)  | 17,500 lb*<br>(8 060 kg)* | 11,800 lb<br>(5 490 kg)   | 13,300 lb<br>(6 190 kg)   | 8,700 lb<br>(4 050 kg) | 33 ft 9 in<br>(10.29 m)  | 8,000 lb*<br>(3 630 kg)*  | 7,000 lb<br>(3 160 kg)    |
| +5 ft<br>(1.5 m)               |                            |                            | 18,450 lb*<br>(8 400 kg)*  | 18,450 lb*<br>(8 400 kg)*  | 33,400 lb*<br>(15 480 kg)* | 24,650 lb<br>(11 440 kg)   | 23,950 lb*<br>(11 060 kg)* | 15,950 lb<br>(7 400 kg)  | 17,400 lb<br>(8 100 kg)   | 11,300 lb<br>(5 240 kg)   | 13,000 lb<br>(6 040 kg)   | 8,400 lb<br>(3 910 kg) | 33 ft 9 in<br>(10.28 m)  | 8,500 lb*<br>(3 860 kg)*  | 6,850 lb<br>(3 110 kg)    |
| Groundline                     |                            |                            | 19,900 lb*<br>(8 790 kg)*  | 19,900 lb*<br>(8 790 kg)*  | 35,750 lb*<br>(16 420 kg)* | 23,300 lb<br>(10 830 kg)   | 24,150 lb<br>(11 230 kg)   | 15,150 lb<br>(7 040 kg)  | 16,950 lb<br>(7 870 kg)   | 10,850 lb<br>(5 040 kg)   | 12,700 lb<br>(5 920 kg)   | 8,150 lb<br>(3 790 kg) | 32 ft 11 in<br>(10.03 m) | 9,350 lb*<br>(4 240 kg)*  | 7,000 lb<br>(3 190 kg)    |
| -5 ft<br>(-1.5 m)              | 19,700 lb*<br>(8 810 kg)*  | 19,700 lb*<br>(8 810 kg)*  | 25,950 lb*<br>(11 510 kg)* | 25,950 lb*<br>(11 510 kg)* | 35,750 lb*<br>(16 490 kg)* | 22,850 lb<br>(10 640 kg)   | 23,650 lb<br>(11 010 kg)   | 14,750 lb<br>(6 850 kg)  | 16,650 lb<br>(7 740 kg)   | 10,600 lb<br>(4 910 kg)   | 12,600 lb<br>(5 860 kg)   | 8,050 lb<br>(3 740 kg) | 31 ft 3 in<br>(9.54 m)   | 10,750 lb*<br>(4 850 kg)* | 7,550 lb<br>(3 430 kg)    |
| -10 ft<br>(-3 m)               | 25,000 lb*<br>(11 200 kg)* | 25,000 lb*<br>(11 200 kg)* | 34,750 lb*<br>(15 380 kg)* | 34,750 lb*<br>(15 380 kg)* | 34,150 lb*<br>(15 770 kg)* | 23,000 lb*<br>(10 710 kg)* | 23,650 lb<br>(11 010 kg)   | 14,800 lb<br>(6 870 kg)  | 16,700 lb<br>(7 760 kg)   | 10,650 lb<br>(4 950 kg)   |                           |                        | 28 ft 8 in<br>(8.77 m)   | 13,200 lb*<br>(5 920 kg)* | 8,650 lb<br>(3 910 kg)    |
| -15 ft<br>(-4.5 m)             | 33,800 lb*<br>(15 060 kg)* | 33,800 lb*<br>(15 060 kg)* | 42,200 lb*<br>(15 590 kg)* | 42,200 lb*<br>(15 590 kg)* | 29,900 lb*<br>(13 890 kg)* | 23,500 lb<br>(10 930 kg)   | 22,150 lb*<br>(10 330 kg)* | 15,200 lb<br>(7 040 kg)  | (7 480 kg)*               | (5 080 kg)                |                           |                        | 24 ft 11 in<br>(7.66 m)  | 15,250 lb*<br>(6 930 kg)* | 10,850 lb<br>(4 860 kg)   |
| -20 ft<br>(-6 m)               |                            |                            | 29,350 lb*<br>(13 930 kg)* | 29,350 lb*<br>(13 930 kg)* | 21,250 lb*<br>(10 140 kg)* | 21,250 lb*<br>(10 140 kg)* | (6 800 kg)*                | (6 800 kg)*              |                           |                           |                           |                        | 19 ft 5 in<br>(6.04 m)   | 14,200 lb*<br>(6 510 kg)* | 14,200 lb*<br>(6 510 kg)* |

**8 ft 8 in (2.65 m)** Lift capacities using a 1,918 lb (870 kg) bucket, 11,244 lb (5 100 kg) counterweight.

| Load<br>(Lift Point<br>Height) | 5 ft<br>(1.5 m)            |                            | 10 ft<br>(3 m)             |                            | 15 ft<br>(4.5 m)           |                            | 20 ft<br>(6 m)             |                         | 25 ft<br>(7.5 m)          |                         | 30 ft<br>(9 m)          |                        | MAXIMUM REACH           |                           |                          |
|--------------------------------|----------------------------|----------------------------|----------------------------|----------------------------|----------------------------|----------------------------|----------------------------|-------------------------|---------------------------|-------------------------|-------------------------|------------------------|-------------------------|---------------------------|--------------------------|
|                                | END                        | SIDE                       | END                        | SIDE                       | END                        | SIDE                       | END                        | SIDE                    | END                       | SIDE                    | END                     | SIDE                   | @                       | END                       | SIDE                     |
| +25 ft<br>(7.5 m)              |                            |                            |                            |                            |                            |                            |                            |                         | 12,800 lb*<br>(6 150 kg)* | 12,650 lb<br>(5 920 kg) |                         |                        | 26 ft 6 in<br>(8.16 m)  | 9,750 lb*<br>(4 400 kg)*  | 9,750 lb*<br>(4 400 kg)* |
| +20 ft<br>(6 m)                |                            |                            |                            |                            |                            |                            | 16,900 lb*                 | 16,900 lb*              | 14,950 lb*<br>(6 950 kg)* | 12,550 lb<br>(5 830 kg) | (4 630 kg)*             | (4 180 kg)             | 29 ft 7 in<br>(9.06 m)  | 9,450 lb*<br>(4 280 kg)*  | 9,200 lb<br>(4 120 kg)   |
| +15 ft<br>(4.5 m)              |                            |                            |                            |                            | 21,100 lb*<br>(10 040 kg)* | 21,100 lb*<br>(10 040 kg)* | 19,150 lb*<br>(8 840 kg)*  | 17,550 lb<br>(8 150 kg) | 16,850 lb*<br>(7 720 kg)* | 12,150 lb<br>(5 650 kg) | 13,450 lb<br>(6 270 kg) | 8,850 lb<br>(4 120 kg) | 31 ft 5 in<br>(9.60 m)  | 9,500 lb*<br>(4 310 kg)*  | 8,050 lb<br>(3 640 kg)   |
| +10 ft<br>(3 m)                |                            |                            |                            |                            | 29,200 lb*<br>(13 450 kg)* | 26,100 lb<br>(12 100 kg)   | 22,200 lb*<br>(10 270 kg)* | 16,650 lb<br>(7 730 kg) | 17,800 lb<br>(8 260 kg)   | 11,650 lb<br>(5 420 kg) | 13,200 lb<br>(6 150 kg) | 8,600 lb<br>(4 010 kg) | 32 ft 3 in<br>(9.84 m)  | 9,850 lb*<br>(4 470 kg)*  | 7,500 lb<br>(3 410 kg)   |
| +5 ft<br>(1.5 m)               |                            |                            |                            |                            | 33,900 lb*<br>(15 640 kg)* | 24,200 lb<br>(11 240 kg)   | 24,600 lb<br>(11 430 kg)*  | 15,750 lb<br>(7 310 kg) | 17,300 lb<br>(8 050 kg)   | 11,200 lb<br>(5 200 kg) | 12,950 lb<br>(6 020 kg) | 8,350 lb<br>(3 890 kg) | 32 ft 3 in<br>(9.83 m)  | 10,450 lb*<br>(4 740 kg)* | 7,400 lb<br>(3 350 kg)   |
| Groundline                     |                            |                            | 18,600 lb*<br>(8 210 kg)*  | 18,600 lb*<br>(8 210 kg)*  | 35,900 lb*<br>(16 540 kg)* | 23,150 lb<br>(10 770 kg)   | 24,050 lb<br>(11 190 kg)   | 15,100 lb<br>(7 010 kg) | 16,900 lb<br>(7 860 kg)   | 10,850 lb<br>(5 030 kg) | 12,750 lb<br>(5 920 kg) | 8,150 lb<br>(3 800 kg) | 31 ft 5 in<br>(9.57 m)  | 11,450 lb*<br>(5 190 kg)* | 7,600 lb<br>(3 460 kg)   |
| -5 ft<br>(-1.5 m)              | 20,600 lb*<br>(9 190 kg)*  | 20,600 lb*<br>(9 190 kg)*  | 26,500 lb*<br>(11 750 kg)* | 26,500 lb*<br>(11 750 kg)* | 35,550 lb*<br>(16 400 kg)* | 23,050 lb<br>(10 720 kg)   | 23,700 lb<br>(11 040 kg)   | 14,850 lb<br>(6 890 kg) | 16,700 lb<br>(7 770 kg)   | 10,650 lb<br>(4 950 kg) | (5 910 kg)              | (3 790 kg)             | 29 ft 8 in<br>(9.05 m)  | 12,950 lb<br>(5 850 kg)   | 8,300 lb<br>(3 750 kg)   |
| -10 ft<br>(-3 m)               | 27,450 lb*<br>(12 310 kg)* | 27,450 lb*<br>(12 310 kg)* | 37,650 lb*<br>(16 620 kg)* | 37,650 lb*<br>(16 620 kg)* | 33,100 lb*<br>(15 280 kg)* | 23,300 lb<br>(10 840 kg)*  | 23,750 lb<br>(11 050 kg)   | 15,000 lb<br>(6 950 kg) | 16,900 lb<br>(7 840 kg)   | 10,900 lb<br>(5 040 kg) |                         |                        | 26 ft 11 in<br>(8.24 m) | 15,050 lb<br>(6 780 kg)   | 9,650 lb<br>(4 350 kg)   |
| -15 ft<br>(-4.5 m)             |                            |                            | 37,900 lb*<br>(17 630 kg)* | 37,900 lb*<br>(17 630 kg)* | 27,650 lb*<br>(12 890 kg)* | 23,800 lb<br>(11 070 kg)   | 20,300 lb*<br>(9 550 kg)*  | 15,500 lb<br>(7 200 kg) |                           |                         |                         |                        | 22 ft 11 in<br>(7.05 m) | 15,400 lb*<br>(6 980 kg)* | 12,550 lb<br>(5 990 kg)  |

NOTE: \*Following number indicates hydraulic capacity.

**LIFT CAPACITIES**

**12 ft 0 in (3.66 m)** Lift capacities using a 1,742 lb (790 kg) bucket, 11,244 lb (5 100 kg) counterweight.

| Load<br>(Lift Point)<br>Height | 5 ft<br>(1.5 m)            |                            | 10 ft<br>(3 m)             |                            | 15 ft<br>(4.5 m)           |                            | 20 ft<br>(6 m)             |                          | 25 ft<br>(7.5 m)          |                           | 30 ft<br>(9 m)            |                          | 35 ft<br>(10.5 m)        |                         | MAXIMUM REACH            |                           |                          |
|--------------------------------|----------------------------|----------------------------|----------------------------|----------------------------|----------------------------|----------------------------|----------------------------|--------------------------|---------------------------|---------------------------|---------------------------|--------------------------|--------------------------|-------------------------|--------------------------|---------------------------|--------------------------|
|                                | END                        | SIDE                       | END                        | SIDE                       | END                        | SIDE                       | END                        | SIDE                     | END                       | SIDE                      | END                       | SIDE                     | END                      | SIDE                    | @                        | END                       | SIDE                     |
|                                |                            |                            |                            |                            |                            |                            |                            |                          |                           |                           |                           |                          |                          |                         |                          |                           |                          |
| <b>+30 ft<br/>(9 m)</b>        |                            |                            |                            |                            |                            |                            |                            |                          |                           |                           |                           |                          |                          |                         | 26 ft 1 in<br>(8.10 m)   | 6,850 lb*<br>(3 070 kg)*  | 6,850 lb*<br>(3 070 kg)* |
| <b>+25 ft<br/>(7.5 m)</b>      |                            |                            |                            |                            |                            |                            |                            |                          | 9,850 lb*<br>(4 600 kg)*  | 9,850 lb*<br>(4 600 kg)*  | 6,850 lb*<br>(3 650 kg)*  | 6,850 lb*<br>(3 650 kg)* |                          |                         | 30 ft 3 in<br>(9.30 m)   | 6,300 lb*<br>(2 850 kg)*  | 6,300 lb*<br>(2 850 kg)* |
| <b>+20 ft<br/>(6 m)</b>        |                            |                            |                            |                            |                            |                            |                            |                          | 12,150 lb*<br>(5 710 kg)* | 12,150 lb*<br>(5 710 kg)* | 10,100 lb*<br>(4 760 kg)* | 9,250 lb*<br>(4 320 kg)* |                          |                         | 32 ft 11 in<br>(10.08 m) | 6,100 lb*<br>(2 770 kg)*  | 6,100 lb*<br>(2 770 kg)* |
| <b>+15 ft<br/>(4.5 m)</b>      |                            |                            |                            |                            |                            |                            |                            |                          | 14,750 lb*<br>(6 750 kg)* | 12,450 lb*<br>(5 800 kg)  | 11,900 lb*<br>(5 550 kg)* | 9,000 lb*<br>(4 210 kg)  | (3 050 kg)*              | (3 050 kg)*             | 34 ft 7 in<br>(10.56 m)  | 6,150 lb*<br>(2 790 kg)*  | 6,150 lb*<br>(2 790 kg)* |
| <b>+10 ft<br/>(3 m)</b>        |                            |                            | 20,550 lb*<br>(10 710 kg)* | 20,550 lb*<br>(10 710 kg)* | 25,450 lb*<br>(11 810 kg)* | 25,450 lb*<br>(11 810 kg)* | 19,750 lb*<br>(9 130 kg)*  | 17,150 lb*<br>(7 950 kg) | 16,650 lb*<br>(7 660 kg)* | 11,900 lb*<br>(5 530 kg)  | 13,350 lb*<br>(6 210 kg)  | 8,700 lb*<br>(4 060 kg)  | 7,450 lb*<br>(3 990 kg)* | 6,500 lb*<br>(3 050 kg) | 35 ft 4 in<br>(10.78 m)  | 6,350 lb*<br>(2 890 kg)*  | 6,350 lb*<br>(2 890 kg)  |
| <b>+5 ft<br/>(1.5 m)</b>       |                            |                            | 24,650 lb*<br>(10 420 kg)* | 24,650 lb*<br>(10 420 kg)* | 31,550 lb*<br>(14 640 kg)* | 25,050 lb*<br>(11 620 kg)  | 22,900 lb*<br>(10 590 kg)* | 16,050 lb*<br>(7 460 kg) | 17,450 lb*<br>(8 120 kg)  | 11,300 lb*<br>(5 260 kg)  | 12,950 lb*<br>(6 040 kg)  | 8,350 lb*<br>(3 900 kg)  | 7,850 lb*<br>(4 250 kg)* | 6,350 lb*<br>(2 970 kg) | 35 ft 4 in<br>(10.76 m)  | 6,750 lb*<br>(3 060 kg)*  | 6,250 lb*<br>(2 830 kg)  |
| <b>Groundline</b>              | 8,900 lb*<br>(3 990 kg)*   | 8,900 lb*<br>(3 990 kg)*   | 20,300 lb*<br>(8 930 kg)*  | 20,300 lb*<br>(8 930 kg)*  | 35,050 lb*<br>(16 210 kg)* | 23,400 lb*<br>(10 870 kg)  | 24,150 lb*<br>(11 250 kg)  | 15,150 lb*<br>(7 050 kg) | 16,900 lb*<br>(7 870 kg)  | 10,800 lb*<br>(5 020 kg)  | 12,650 lb*<br>(5 890 kg)  | 8,050 lb*<br>(3 760 kg)  | (3 510 kg)*              | (2 910 kg)              | 34 ft 7 in<br>(10.53 m)  | 7,350 lb*<br>(3 340 kg)*  | 6,400 lb*<br>(2 890 kg)  |
| <b>-5 ft<br/>(-1.5 m)</b>      | 17,200 lb*<br>(7 710 kg)*  | 17,200 lb*<br>(7 710 kg)*  | 24,550 lb*<br>(10 880 kg)* | 24,550 lb*<br>(10 880 kg)* | 35,600 lb*<br>(16 440 kg)* | 22,650 lb*<br>(10 540 kg)  | 23,550 lb*<br>(10 960 kg)  | 14,600 lb*<br>(6 790 kg) | 16,550 lb*<br>(7 690 kg)  | 10,450 lb*<br>(4 860 kg)  | 12,450 lb*<br>(5 800 kg)  | 7,900 lb*<br>(3 670 kg)  |                          |                         | 33 ft 0 in<br>(10.06 m)  | 8,350 lb*<br>(3 790 kg)*  | 6,850 lb*<br>(3 090 kg)  |
| <b>-10 ft<br/>(-3 m)</b>       | 22,350 lb*<br>(10 020 kg)* | 22,350 lb*<br>(10 020 kg)* | 31,650 lb*<br>(14 020 kg)* | 31,650 lb*<br>(14 020 kg)* | 34,650 lb*<br>(16 000 kg)* | 22,700 lb*<br>(10 550 kg)  | 23,450 lb*<br>(10 900 kg)  | 14,550 lb*<br>(6 760 kg) | 16,500 lb*<br>(7 660 kg)  | 10,450 lb*<br>(4 840 kg)  | 12,500 lb*<br>(5 830 kg)  | 8,000 lb*<br>(3 710 kg)  |                          |                         | 30 ft 7 in<br>(9.34 m)   | 10,100 lb*<br>(4 540 kg)* | 7,700 lb*<br>(3 840 kg)  |
| <b>-15 ft<br/>(-4.5 m)</b>     | 29,800 lb*<br>(13 250 kg)* | 29,800 lb*<br>(13 250 kg)* | 42,650 lb*<br>(19 030 kg)* | 42,650 lb*<br>(19 030 kg)* | 31,350 lb*<br>(14 550 kg)* | 23,100 lb*<br>(10 730 kg)  | 23,200 lb*<br>(10 790 kg)* | 14,850 lb*<br>(6 880 kg) | 16,600 lb*<br>(7 710 kg)  | 10,800 lb*<br>(5 000 kg)  |                           |                          |                          |                         | 27 ft 0 in<br>(8.30 m)   | 13,250 lb*<br>(5 920 kg)* | 9,400 lb*<br>(4 220 kg)  |
| <b>-20 ft<br/>(-6 m)</b>       |                            |                            | 34,350 lb*<br>(16 170 kg)* | 34,350 lb*<br>(16 170 kg)* | 24,450 lb*<br>(11 540 kg)* | 23,350 lb*<br>(10 870 kg)  | 17,300 lb*<br>(8 310 kg)*  | 15,200 lb*<br>(7 070 kg) |                           |                           |                           |                          |                          |                         | 22 ft 0 in<br>(6.82 m)   | 14,000 lb*<br>(6 390 kg)* | 13,150 lb*<br>(5 990 kg) |

NOTE: \*Following number indicates hydraulic capacity.

## STANDARD EQUIPMENT

### ENGINE

Isuzu AQ-6HK1X  
Tier 4 Final Certified  
Selective Catalytic Reduction – SCR  
Diesel Oxidation Catalyst – DOC  
Cooled Exhaust Gas Recirculation – CEGR  
EGR Coolers  
Six-cylinder turbo-charged diesel  
VGT turbocharger  
Electronic fuel injection  
High pressure common rail system  
Neutral safety start  
Auto-engine warm up  
Glow-plug pre-heat  
Fuel Economy Assist System – FEA  
Engine Protection Feature – EPF  
Dual-stage fuel filtration  
Dual element air filter  
Remote oil filter  
Drain for fuel tank  
Remote engine oil drain  
500-hour engine oil change interval  
24 Volt system  
Engine oil sample port  
Battery disconnect switch  
High ambient temperature cooling package  
Emergency engine stop  
External Fuel and DEF gauges  
Fan housing  
Fuel cooler  
Fuel filter restriction indicator  
Fuel shut-off valve  
Idle start  
Radiator, oil cooler,  
intercooler – protective screen

### FUEL ECONOMY SYSTEMS

Engine Idle/Fuel Economy System:  
Auto-idle  
One-touch idle  
Auto-idle shut-down  
BEC – Boom Economy Control  
AEC – Auto Economy Control  
SWC – Swing Relief Control  
SSC – Spool Stroke Control

### HYDRAULICS

Auto power boost  
Auto swing priority  
Arm speed assistance – 2 pump flow  
Auxiliary flow control  
Auxiliary valve  
Boom speed assistance – 2 pump flow  
Bucket curl assist  
Control levers pre-wired for  
auxiliary hydraulics  
Electronically controlled hydraulic pumps  
Holding valve – Boom and Arm  
Fire wall  
Hydraulic filter restriction indicator  
Neutral pump de-stroke  
Oil cooler

Power save  
Pump stand-by pressure  
Auto travel speed change  
Selectable work modes  
Free swing  
Hydraulic oil sample port  
Control pattern selector  
Pre-set auxiliary pump settings  
Auxiliary valve  
5,000-hour hydraulic oil change interval  
1,000-hour hydraulic filter change interval  
SAHR brake

### UPPER STRUCTURE

ISO mirrors – 3  
Cab ISO-Mounts – fluid and spring  
Upper mounted work light – 70 watt  
Swivel guard belly pan  
Center cover – over main CV  
Fuel tank belly pan  
Handrail – RH access  
ISO guard rails  
Lifting eyes for counterweight  
Lockable fuel cap, service doors and toolbox

### ATTACHMENTS

Boom – 20 ft 2 in (6.15 m)  
Arm – 10 ft 5 in (3.18 m)  
Heavy-duty bucket linkage  
Boom mounted work light – 70 watt  
Auxiliary pipe brackets  
Centralized grease fittings  
Attachment cushion valve  
Arm and boom regeneration  
Bucket anti-clatter device  
Chrome pins  
Easy Maintenance System (EMS) bushings  
Teardrop pin retention keepers

### OPERATOR ENVIRONMENT

ROPS protection  
FOPS cab top guard – Level 1  
Pressurized cab  
Face vent  
Cab lights – 2  
Interior dome light  
One-touch lock front window  
One piece window – right  
Safety glass windows  
Gate lock hydraulic activation  
Emergency exit and hammer  
Clear polycarbonate roof window  
with sunshade  
AC/heat/defrost with auto climate control  
LED Color monitor – 7 in (180 mm)  
26 selectable languages for monitor  
On-board diagnostic system  
10 programmable attachments settings on  
monitor – 5 single flow, 5 dual flow  
Seat belt – 3 in (76 mm)  
Heated high-back cloth seat with air  
suspension and 65° tilt adjustment  
Sliding seat – 3.54 in (90 mm)

Adjustable armrests  
Tilting consoles – 4-position  
Sliding cockpit – 3.15 in (80 mm)  
Low-effort joystick controls  
Controls pre-wired for auxiliary  
Single pedal travel  
Straight travel  
AM/FM radio with antenna, 2 speakers and  
Bluetooth capabilities  
Aux-in port for personal electronics  
Radio mute switch – joystick  
Rear-view camera  
Anti-theft system – start code system  
Rubber floor mat  
12 Volt electric outlet  
24 Volt cigarette lighter  
Windshield wiper/washer  
Cup holder  
Storage compartments  
Warm/cool storage compartment  
Travel alarm with cancel switch  
Ignition keys  
One key start & lock-up  
Cab filter – external  
Cab handrails  
Operator's manual

### UNDERCARRIAGE

Long undercarriage  
31.5 in (800 mm) steel shoes,  
triple semi-grouser  
Full overlap turntable bearing tub  
Single track chain guides  
Hydraulic track adjustment  
Sealed link chain  
Steps  
Carbody belly pan – swivel guard  
X-pattern carbody  
Lashing points – tie downs  
Extra Filter Kit:  
Engine oil filter  
Filter wrench  
Fuel filters  
Grease gun  
Green plug oil drain hose for engine  
oil drain  
Hydraulic return filter  
Pilot circuit hydraulic filter

### TELEMATICS

CASE SiteWatch™ Telematics – includes  
hardware and a 3-yr Advanced  
data subscription

## OPTIONAL EQUIPMENT

### ENGINE

Refueling pump  
Air pre-cleaner – Cyclone

### HYDRAULICS

Auxiliary hydraulics:  
Single acting/joystick activated  
Double acting/joystick activated – thumb  
Multi-function/joystick activated  
Multi-function with electronic pressure control/joystick activated with electronic proportional controls  
Secondary low-flow/joystick activated  
Proportional hydraulic controls  
Hose Burst Check Valve – HBCV

### MACHINE CONTROL

Leica iCON iXE2 – 2D System  
Leica iCON iXE3 – 3D System

### ATTACHMENTS

Heavy-duty arm – 8 ft 8 in (2.65 m)  
Long arm – 12 ft 0 in (3.66 m)  
Quick coupler/Case multi-pin grabber  
Tools:  
Heavy-duty/Extreme-duty/Ditching  
Buckets; Hammers; Thumbs;  
Compaction plates.  
Load holding control

### UPPER STRUCTURE

Rubber bumper guard – order through  
Service Parts

### UNDERCARRIAGE

23.6 in (600 mm) steel shoes,  
triple semi-grouser  
27.6 in (700 mm) steel shoes,  
triple semi-grouser  
Track guides – triple

### OPERATOR ENVIRONMENT

FOPS cab top guard – Level 2  
Front grill guard – 2 x 2 in (50.8 x 50.8 mm) screen mesh  
Front rock guard – vertical bars  
Two piece/OPG 1  
Front rock guard – vertical bars  
One piece/OPG 2  
Vandal guard (front window) with common key  
Rain deflector – not available with Front guards  
Sun visor  
Side-view camera  
LED Package:  
Includes 1 Side view camera and 6 LED Lights – 2 front cab mounted, 2 rear mounted and 1 mounted on each side

CaseCE.com

©2021 CNH Industrial America LLC. All rights reserved. CASE is a trademark registered in the United States and many other countries, owned by or licensed to CNH Industrial N.V., its subsidiaries or affiliates. CNH Industrial Capital is a trademark in the United States and many other countries, owned by or licensed to CNH Industrial N.V., its subsidiaries or affiliates. Printed in U.S.A. Contains 10% post-consumer fiber.

IMPORTANT: CASE Construction Equipment Inc. reserves the right to change these specifications without notice and without incurring any obligation relating to such change. Availability of some models and equipment builds vary according to the country in which the equipment is used. The illustrations and text may include optional equipment and accessories and may not include all standard equipment. Your CASE dealer/distributor will be able to give you details of the products and their specifications available in your area.



CASE Construction Equipment is biodiesel-friendly. NOTE: All engines meet current EPA emissions regulations. All specifications are stated in accordance with SAE Standards or Recommended Practices, where applicable.



Always read the Operator's Manual before operating any equipment. Inspect equipment before using it, and be sure it is operating properly. Follow the product safety signs and use any safety features provided.

Form No. CCE202106CX300D  
Replaces Form No. CCE202008CX300D

CX300D

7 of 7